



Cambridge International AS & A Level

CANDIDATE
NAME

--

CENTRE
NUMBER

--	--	--	--	--

CANDIDATE
NUMBER

--	--	--	--



PHYSICS

9702/52

Paper 5 Planning, Analysis and Evaluation

May/June 2023

1 hour 15 minutes

You must answer on the question paper.

No additional materials are needed.

INSTRUCTIONS

- Answer **all** questions.
- Use a black or dark blue pen. You may use an HB pencil for any diagrams or graphs.
- Write your name, centre number and candidate number in the boxes at the top of the page.
- Write your answer to each question in the space provided.
- Do **not** use an erasable pen or correction fluid.
- Do **not** write on any bar codes.
- You may use a calculator.
- You should show all your working and use appropriate units.

INFORMATION

- The total mark for this paper is 30.
- The number of marks for each question or part question is shown in brackets [].

This document has **8** pages.

- 1 Two coils, P and Q, are placed close to each other, as shown in Fig. 1.1.

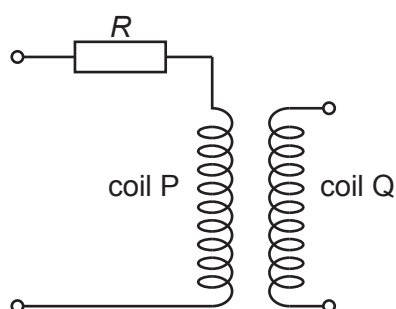


Fig. 1.1

A resistor of resistance R is connected in series with coil P.

A changing magnetic flux of frequency f in coil P causes an electromotive force (e.m.f.) E to be induced across the terminals of coil Q.

It is suggested that E is related to R by the relationship

$$E = 2\pi f M \left(\frac{V}{R + k} \right)$$

where V is the potential difference across the resistor and coil P, and k and M are constants.

Plan a laboratory experiment to test the relationship between E and R .

Draw a diagram showing the arrangement of your equipment.

Explain how the results could be used to determine values for k and M .

In your plan you should include:

- the procedure to be followed
- the measurements to be taken
- the control of variables
- the analysis of the data
- any safety precautions to be taken.

Diagram

.....

.....

.....

.....

.....

.....

.....

.....

.....

.....

.....

.....

.....

.....

.....

.....

.....

.....

- 2 A student investigates how the volume of a gas varies with its temperature. Air is trapped in a transparent cylinder of diameter d with a movable piston as shown in Fig. 2.1.

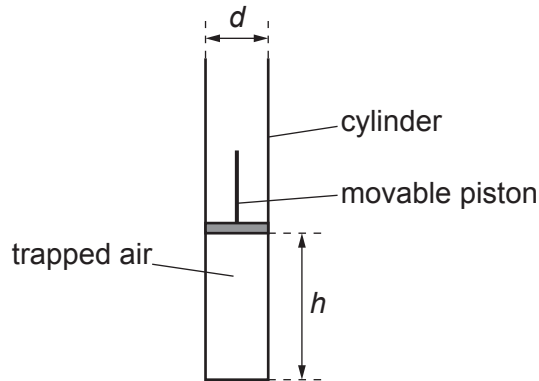


Fig. 2.1

The distance between the base of the cylinder and the bottom of the piston is h .

The trapped air is heated by placing the cylinder in water of temperature θ . The increase in temperature of the trapped air causes the piston to move. When the piston stops moving, the value of h is measured.

For each value of h , the volume V of the trapped air is calculated.

The experiment is repeated for different values of θ .

It is suggested that V and θ are related by the equation

$$pV = Yk(\theta + Z)$$

where k is the Boltzmann constant, p is the atmospheric pressure, and Y and Z are constants.

- (a) A graph is plotted of V on the y -axis against θ on the x -axis.

Determine expressions for the gradient and y -intercept.

gradient =

y -intercept =

[1]

(b) Values of θ and h are given in Table 2.1.

Table 2.1

$\theta/^\circ\text{C}$	h/mm	$V/10^{-5}\text{m}^3$
23	62.4 ± 0.1	
35	65.2 ± 0.1	
48	68.1 ± 0.1	
62	70.9 ± 0.1	
73	73.3 ± 0.1	
88	76.1 ± 0.1	

The value of d is $(27.9 \pm 0.1)\text{mm}$.

The volume V is calculated using the relationship

$$V = \frac{\pi d^2 h}{4}.$$

Calculate and record values of $V/10^{-5}\text{m}^3$ in Table 2.1.

Include the absolute uncertainties in V .

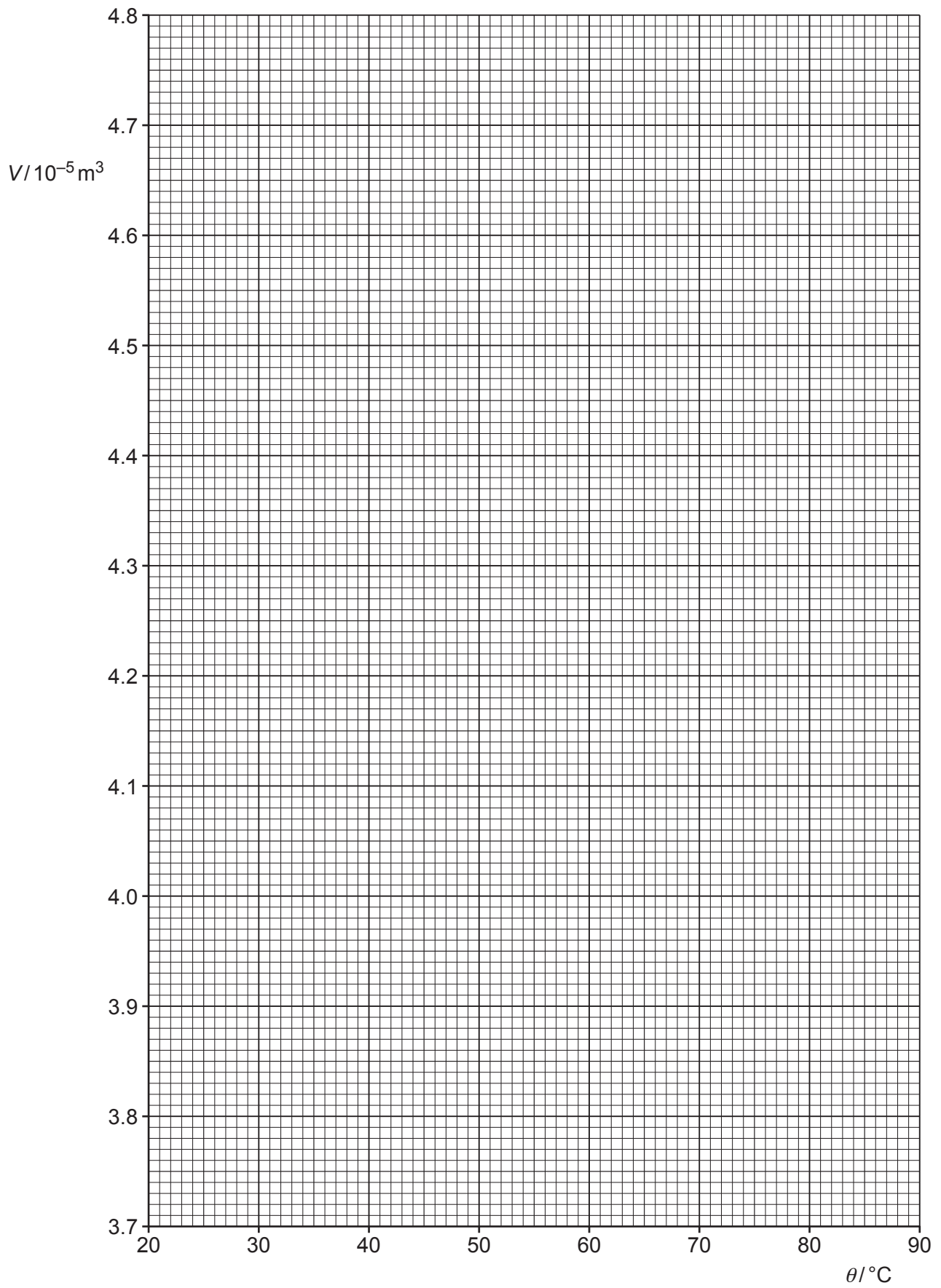
[2]

(c) (i) Plot a graph of $V/10^{-5}\text{m}^3$ against $\theta/^\circ\text{C}$. Include error bars for V . [2]

(ii) Draw the straight line of best fit and a worst acceptable straight line on your graph. Label both lines. [2]

(iii) Determine the gradient of the line of best fit. Include the absolute uncertainty in your answer.

gradient = [2]



- (iv) Determine the y -intercept of the line of best fit. Include the absolute uncertainty in your answer.

y -intercept = [2]

- (d) (i) Using your answers to (a), (c)(iii) and (c)(iv), determine the values of Y and Z . Include appropriate units.

$$\text{Data: } p = (1.01 \pm 0.01) \times 10^5 \text{ Pa}$$

$$k = 1.38 \times 10^{-23} \text{ JK}^{-1}$$

$Y = \dots\dots\dots$

$Z = \dots\dots\dots$ [2]

- (ii) Determine the percentage uncertainty in Y .

percentage uncertainty in $Y = \dots\dots\dots$ % [1]

- (e) The experiment is repeated. Determine the temperature θ that gives a value of h of 60.0 mm.

$\theta = \dots\dots\dots$ °C [1]

[Total: 15]