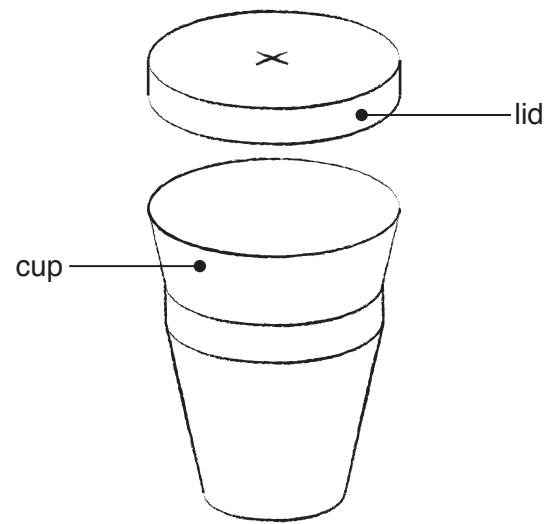


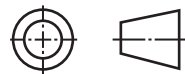
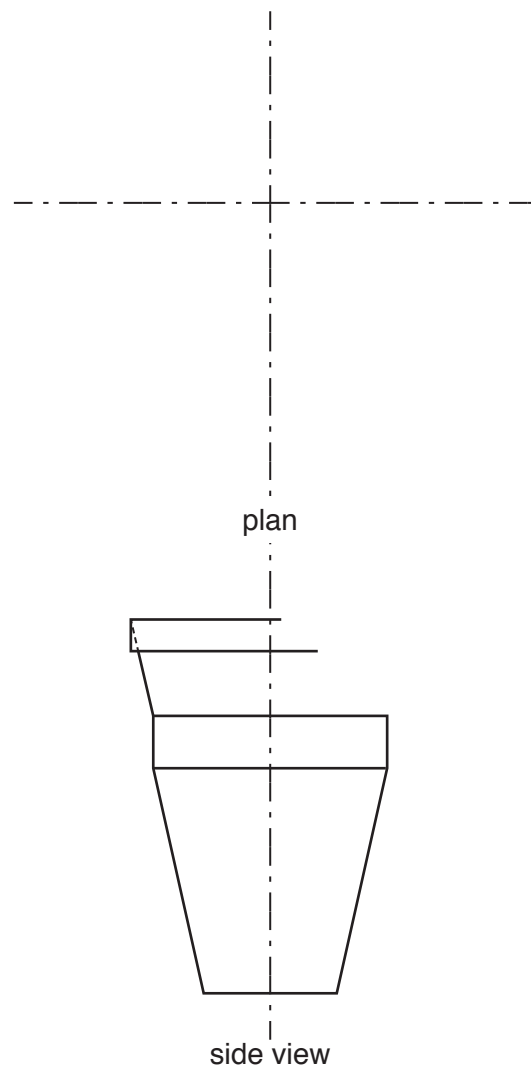
Section A
Answer **all** questions in this section.

A1 A sketch of a plastic cup and lid is shown below.



Complete the orthographic views of the plastic cup with the lid in place shown below. Include hidden detail.

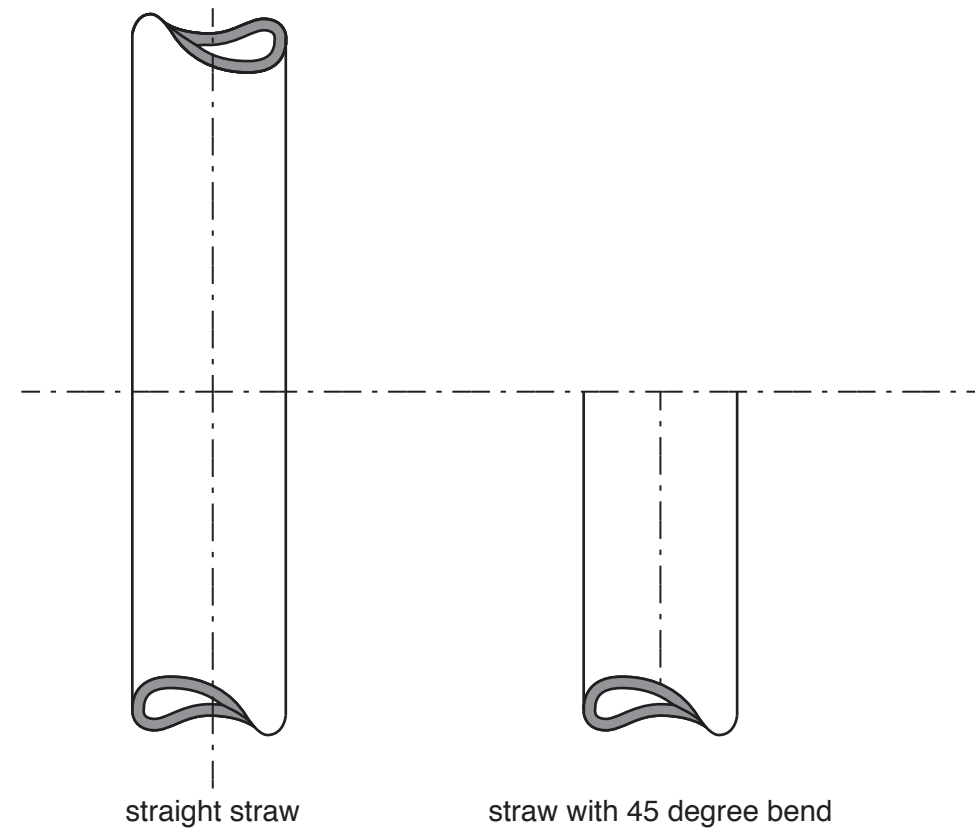
[7]



A2 (a) Name a method of manufacturing the lid of the cup.

..... [1]

(b) A straw is pushed into the hole in the top of the lid. Complete the drawing below to show part of a straw with a 45 degree bend. [4]



(c) Explain why the cup is wider at the top than at the bottom.

.....

 [2]

0445/23 May/June 2017 **1 hour**
 © UCLES 2017 DC (NF/SG) 127895/2

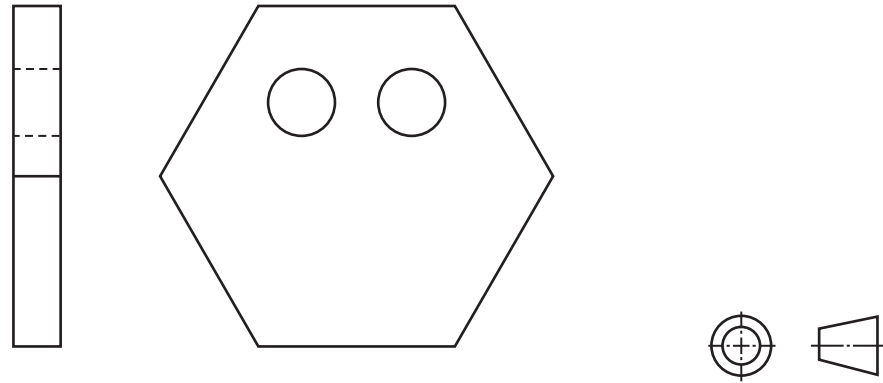
Centre Number Candidate Number Candidate Surname Other Names **[Turn over]**

| |
|--------------------------|
| For Examiner's use |
| |
| |
| |
| |

A3 A face shape cut from foam board sheet is to be added to the plastic cup.

(b) Use a sketch and notes to show a method of attaching the foam board face shape to the cup. [2]

Orthographic views of the face shape are shown below.

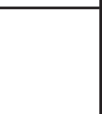


(a) Construct a 2 : 1 planometric drawing of the face shape in the space below. Sizes should be taken from the orthographic views. [7]

(c) State **two** reasons why the face would be added to the cup.

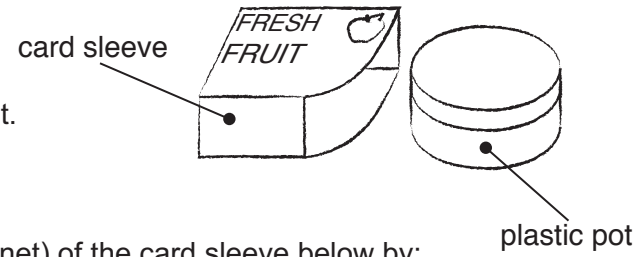
1. [1]

2. [1]



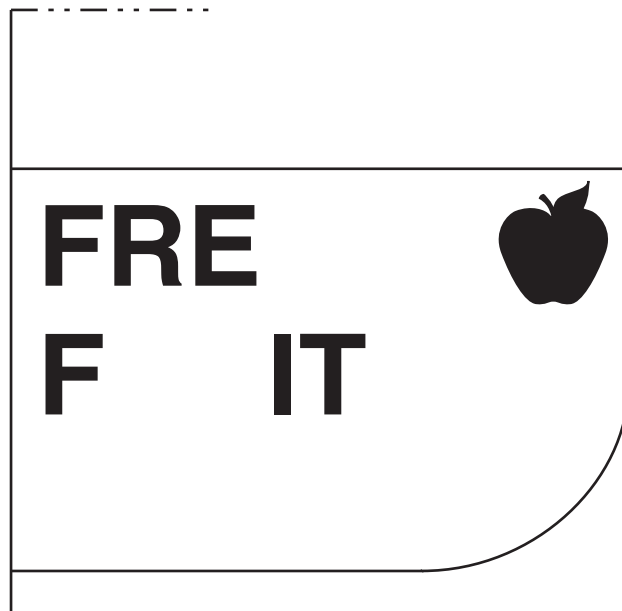
Section B
 Answer **either** question **B4** or **B5**.

B4 A sketch of a package for fresh fruit is shown on the right.



(a) Complete the full size drawing of the development (net) of the card sleeve below by:

- (i) adding the missing surfaces; [9]
- (ii) adding the missing glue tab; [2]
- (iii) completing the name. [3]



(b) Describe the method of cutting out 10 000 copies of the development (net) for the card sleeve.

.....

.....

.....

.....

.....

.....

.....

.....

.....

.....

.....

.....

.....

.....

.....

.....

.....

.....

.....

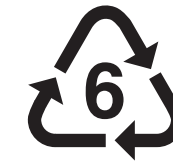
.....

..... [6]

(c) The apple shape on the card sleeve is to be embossed.

Use a sketch and notes to show what is meant by the term 'embossed'. [2]

(d) Explain why the symbol shown below is on the plastic pot.



.....

.....

.....

.....

.....

.....

.....

.....

.....

.....

.....

.....

.....

.....

.....

.....

.....

.....

.....

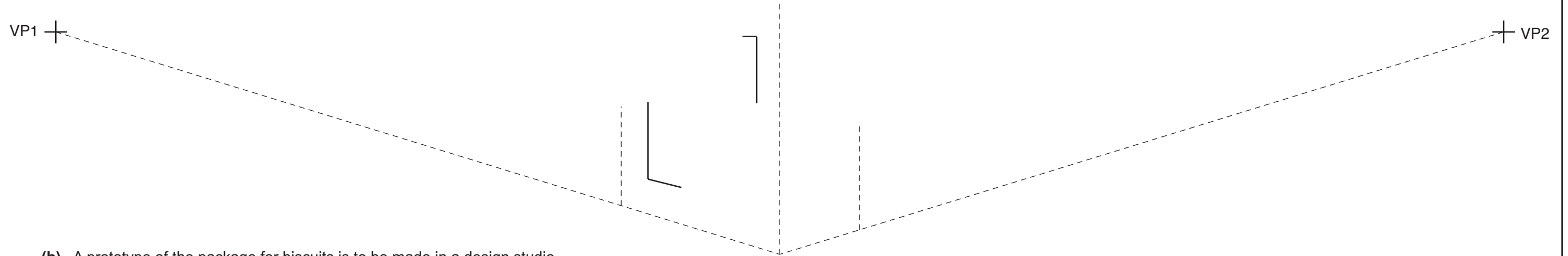
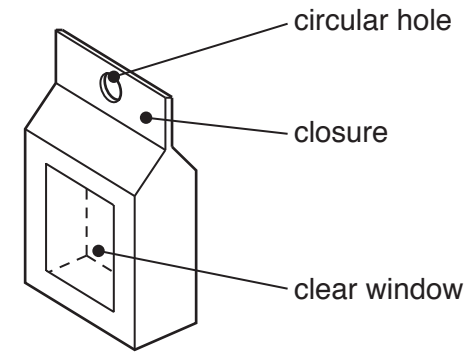
.....

.....

..... [3]

B5 A package for biscuits is shown on the right. The package is made from paper and has a clear window on the front surface.

(a) On the start lines below complete the two point perspective drawing of the package. [16]



(b) A prototype of the package for biscuits is to be made in a design studio.

(i) Name a material that could be used to make the clear window.
 [1]

(ii) Use sketches to show a method of making and attaching the clear plastic window to the package. [4]

(c) (i) Complete the list below to show **three** pieces of information that should be printed on the package.

1. Eat within one week of opening.
2. [1]
3. [1]

(ii) Use a sketch and notes to explain why the closure has a circular hole in it. [2]

