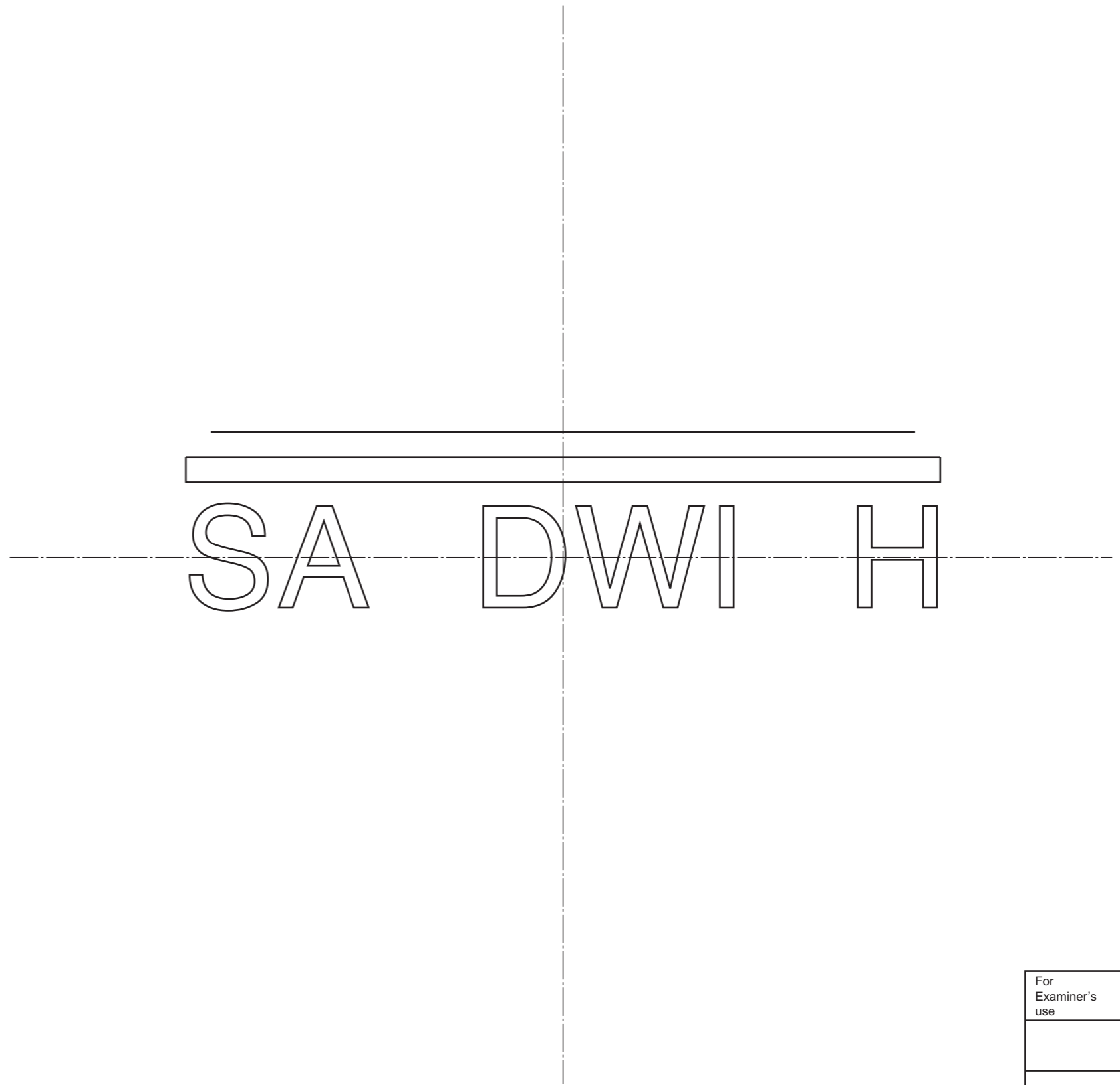
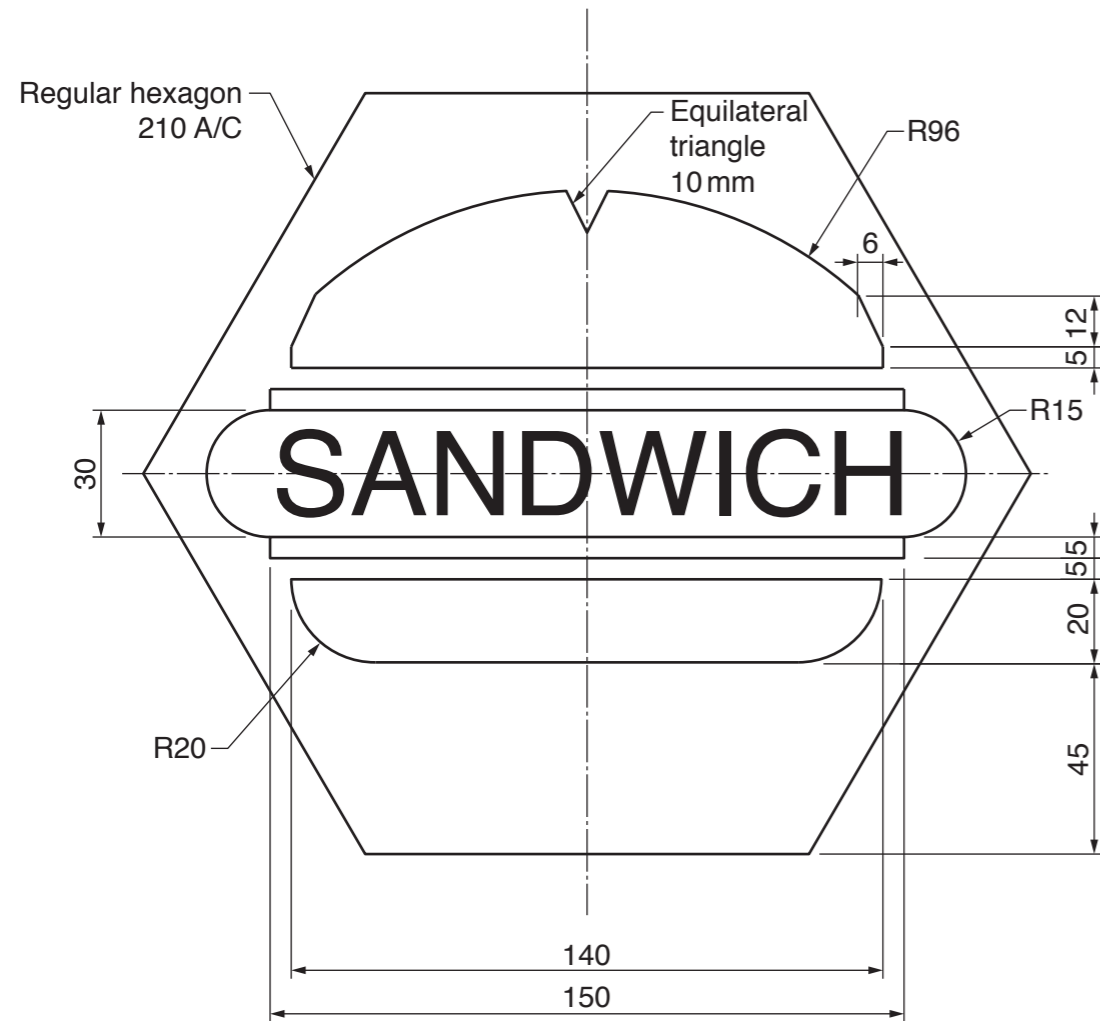


Section A

Answer **all** questions in this section.

A1 A logo for a sandwich shop is shown below.



Complete the full size logo in the space provided to the right by drawing:

- (a) the hexagon shaped border [3]
- (b) the outer bread bun [7]
- (c) the centre fillings [2]
- (d) the missing letters of SANDWICH. [3]

For
Examiner's
use

0445/22 Oct/Nov 2019 **1 hour**
© UCLES 2019 DC (KN/SW) 164651/2

Centre Number

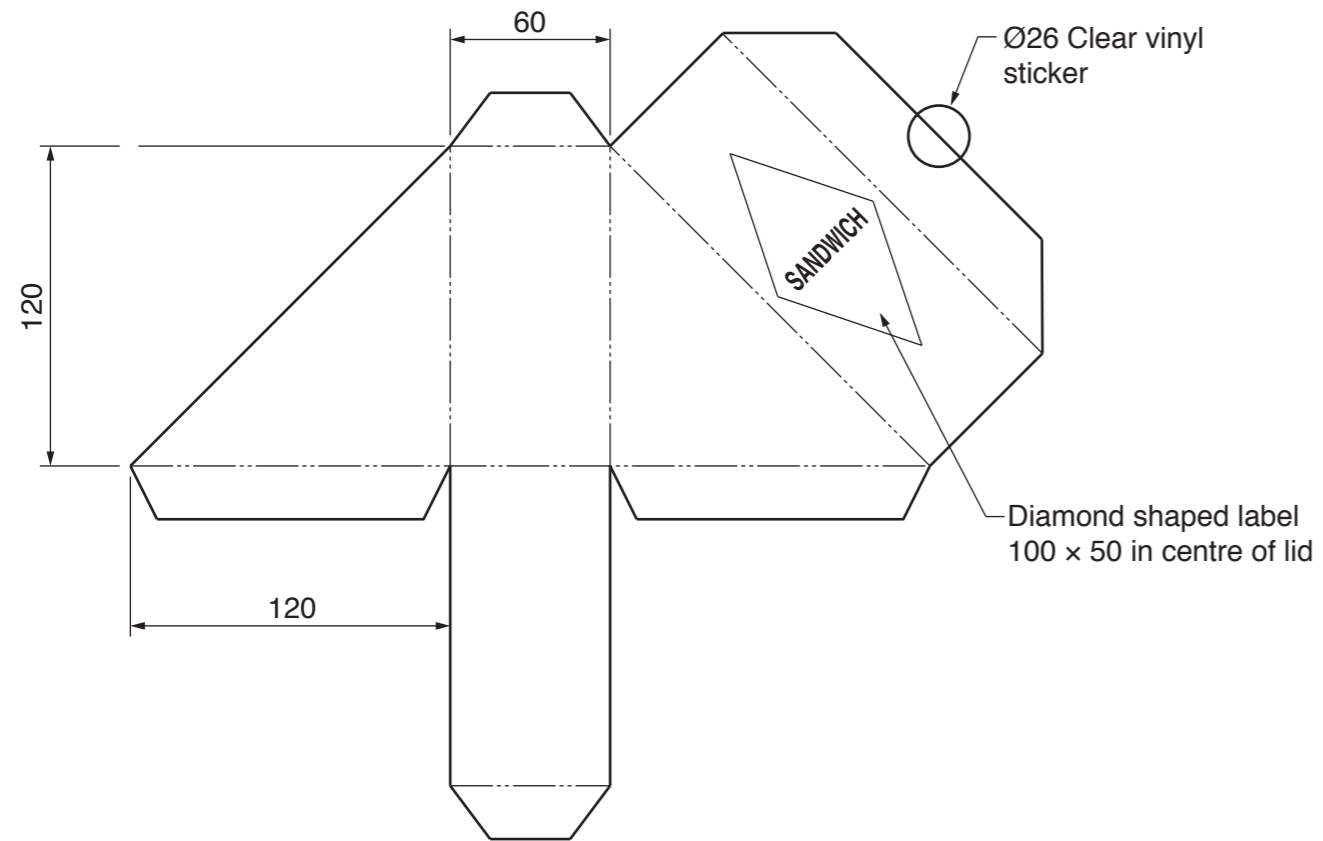
Candidate Number

Candidate Surname

Other Names

[Turn over]

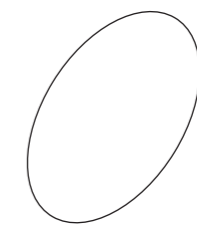
A2 The development (net) of a sandwich package is shown below.



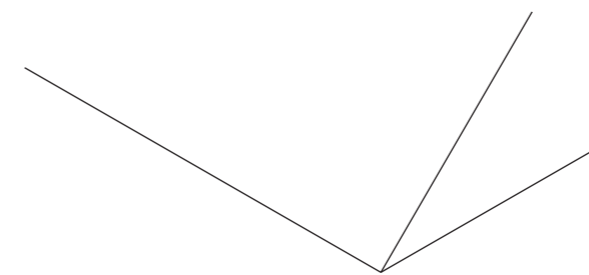
Complete the full size isometric view of the assembled package by drawing:

- (a) the outer shape of the assembled package [3]
- (b) the diamond shaped label [2]
- (c) the large closing flap. [1]

SANDWICH



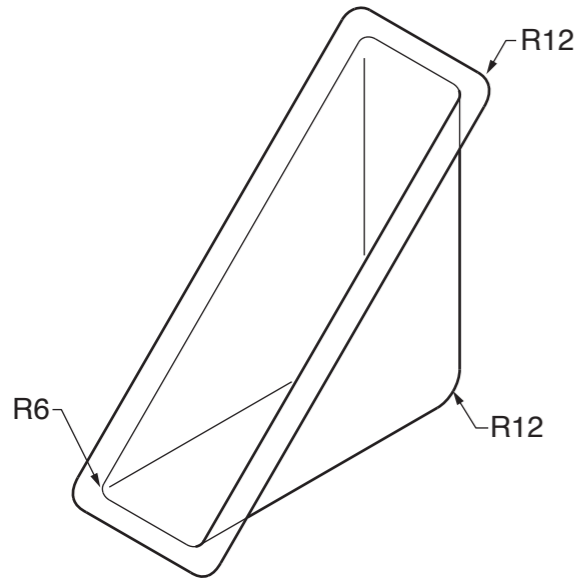
A3 Use sketches and notes to show a method of keeping the lid closed without the use of a sticker. [4]



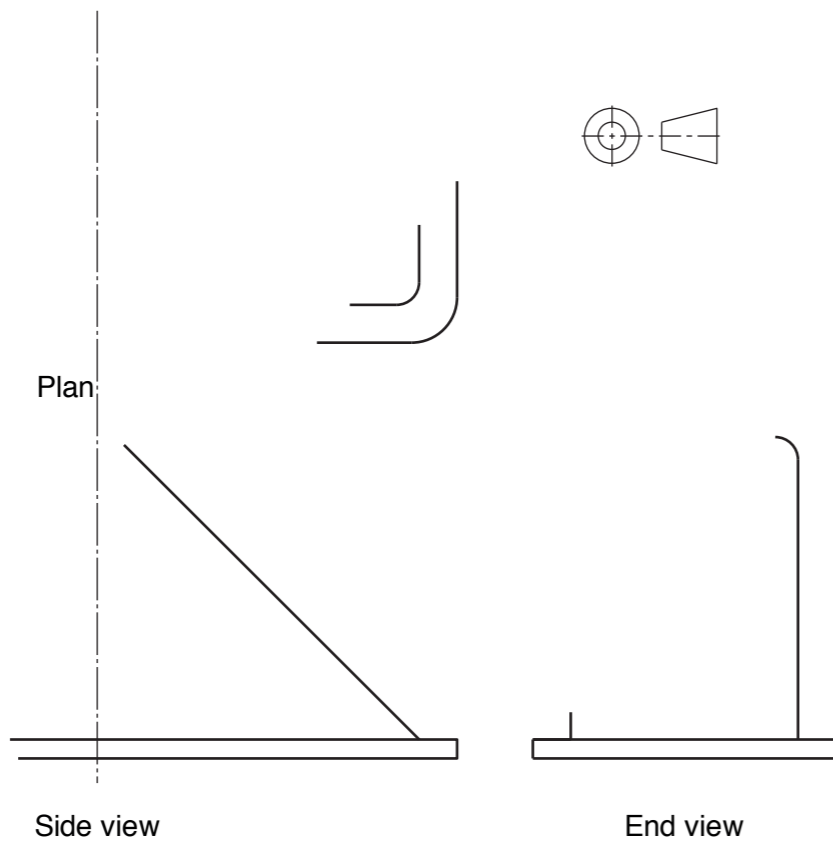
Full size isometric view of the assembled package

Section B
Answer **either** question **B4** or **B5**.

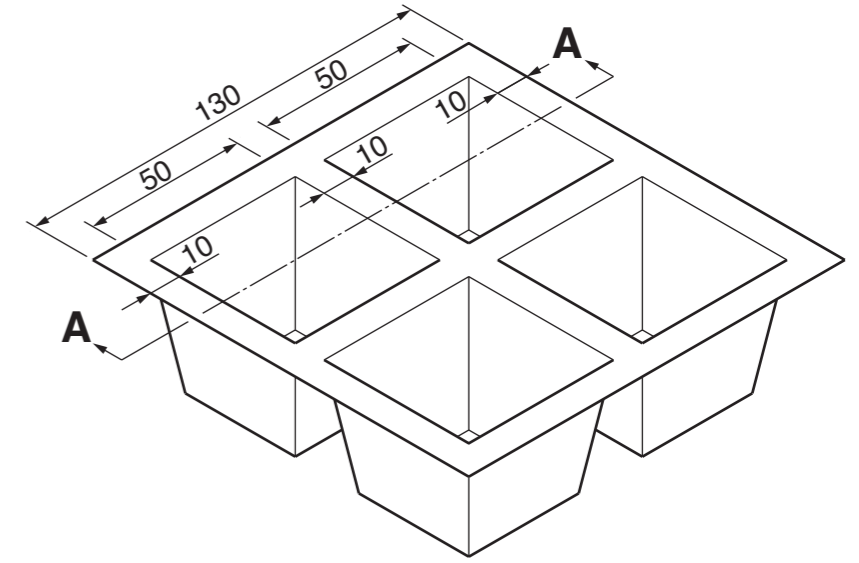
B4 A different type of sandwich package is shown below.
The package is vacuum formed from thin clear plastic using a mould.



(a) Complete the half scale orthographic view below of the mould that would be used to make the sandwich package. [9]



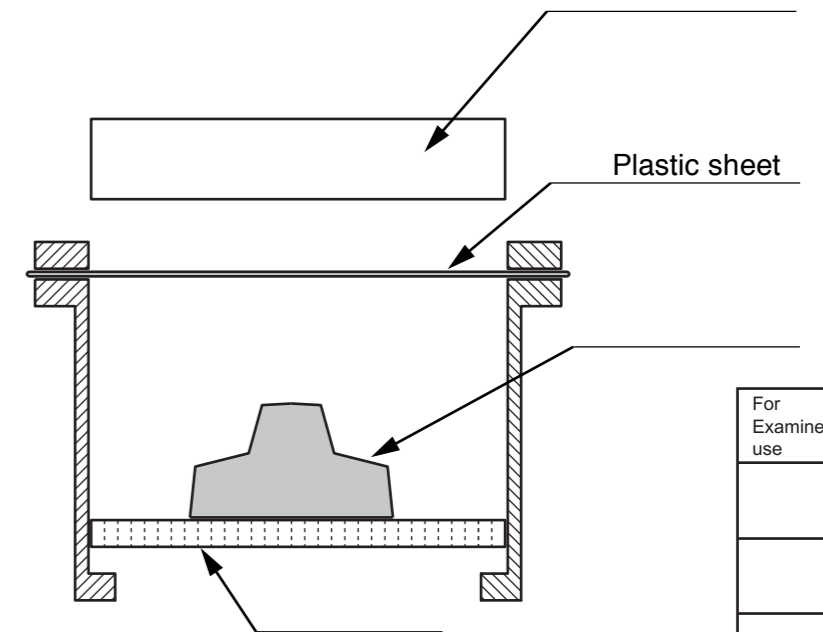
(b) A vacuum formed tray for sandwich fillings is shown to the right.
Each tray is 40mm deep.
The sides of each tray have a 5° draft angle.
In the space below, complete the full size sectional view A-A. [10]



Section A–A

(c) The tray is vacuum formed from thin plastic sheet.
(i) State **one** suitable plastic for the tray. [1]
.....
(ii) Explain the purpose of the draft angle on moulds used to make vacuum formed products. [2]
.....
.....
.....
.....

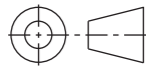
(d) A diagram of a vacuum former is shown below.
Label the parts arrowed. [3]



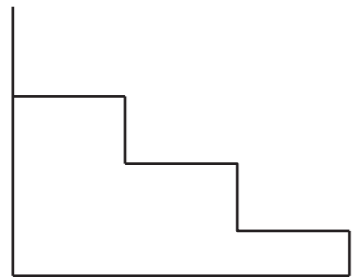
For
Examiner's
use

B5 Orthographic views of a display stand used in the sandwich shop are shown below.

The display stand is made from card.

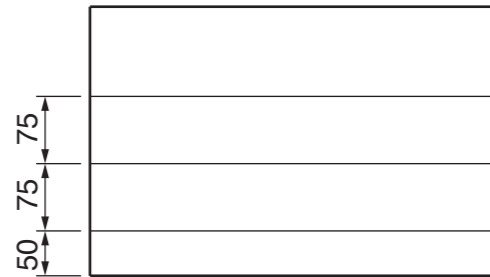


Plan view



Side view

A



Front view

A

(b) The display stand is to be sent to the shop flat packed.

State **one** advantage and **one** disadvantage to the shop owner of the stand being flat packed.

Advantage

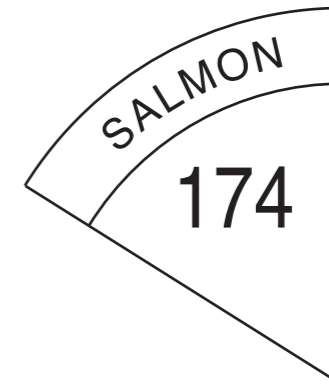
.....
 [1]

Disadvantage

.....
 [1]

A table showing the sales of sandwiches in one week is shown below.

| Sandwich filling | Number sold |
|------------------|-------------|
| Salmon | 174 |
| Beef | 90 |
| Tuna | 105 |
| Chicken | 210 |
| Cheese | 144 |
| Salad | 231 |
| Other | 126 |
| Total | 1080 |



(c) Complete the pie chart above to show the number and type of each sandwich sold.

[8]

(a) Complete the two point perspective view of the display stand below to a scale of 1:5.

[15]

