



Cambridge IGCSE™

GEOGRAPHY

0460/43

Paper 4 Alternative to Coursework

October/November 2022

INSERT

1 hour 30 minutes

INFORMATION

- This insert contains additional resources referred to in the questions.
- You may annotate this insert and use the blank spaces for planning. **Do not write your answers** on the insert.



This document has **12** pages. Any blank pages are indicated.

Fig. 1.1 for Question 1

City centre shopping area



Indoor shopping mall



Fig. 1.2 for Question 1

Questionnaire

I am a student at the International School. I am doing a survey as part of my Geography coursework. Please will you answer the following questions?

1. How far have you travelled to the shopping centre today?

.....

2. How often do you come to the shopping centre?

.....

Thank you for your help

Table 1.1 for Question 1

Answers to question 1: How far have you travelled to the shopping centre today?

distance travelled (km)	city centre shops (number of people)	indoor shopping mall (number of people)
0 to 5	18	10
6 to 10	21	17
11 to 15	25	19
16 to 20	22	19
21 to 25	11	20
more than 25	3	15

Table 1.2 for Question 1

Answers to question 2: How often do you come to the shopping centre?

frequency	city centre shops (number of people)	indoor shopping mall (number of people)
every day	6	0
every two or three days	10	3
once a week	36	19
once a month	30	57
less than once a month	18	21

Fig. 1.5 for Question 1**Extract from student's fieldwork diary****Pedestrian count method**

I did the pedestrian count by myself. I counted people who walked past me during the morning in the indoor shopping mall and during the afternoon in the city centre. I counted every 50 people in my head and then marked '50' on my recording sheet. Although it was sunny in the morning, it rained during the afternoon which made recording difficult.

Table 1.3 for Question 1**Results of pedestrian count**

time of count	number of people in the city centre shopping area	number of people in the indoor shopping mall
10:00 (10 am)	141	69
13:00 (1 pm)	156	110
16:00 (4 pm)	95	137

Table 2.2 for Question 2
Average size of beach samples

distance from low water mark (m)	average size of beach material (mm)	
	beach A	beach B
0	8	20
3	4	28
6	5	35
9	12	42
12	9	40
15	17	53
18	3	54
21	7	70
24	15	68
27	9	89
30	8	98
average size of all sites	8.8	54.3

Fig. 2.2 for Question 2

Measuring equipment

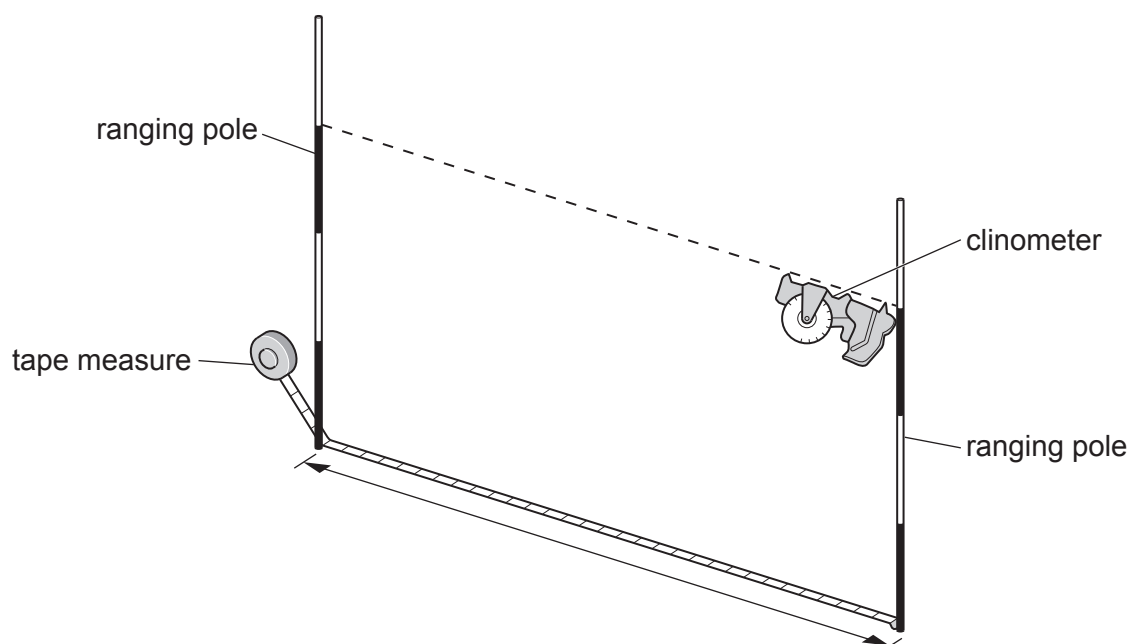


Table 2.3 for Question 2

Angle of slope measurements

distance from low water mark (m)	angle of slope in degrees (°)	
	beach A	beach B
0	3	7
3	7	15
6	9	12
9	5	6
12	1	17
15	4	9
18	6	13
21	8	8
24	6	19
27	3	11
30	7	6
	average = 5.4	average = 11.2

Fig. 2.4 for Question 2

Three methods of coastal protection

Rip rap



Gabions



Sea wall



Table 2.4 for Question 2

Results of students' bi-polar survey

Coastal protection method: Rip rap

	students' score					
disadvantage	-2	-1	0	+1	+2	advantage
unattractive	✓					attractive
does not protect the land					✓	protects the land
does not stop erosion by waves					✓	stops all erosion by waves
danger of accident walking on it	✓					safe to walk on
stops access to beach	✓					allows access to beach
expensive to construct			✓			cheap to construct
construction causes lots of disturbance		✓				construction causes little disturbance
Total score = -3						

Coastal protection method: Gabions

	students' score					
disadvantage	-2	-1	0	+1	+2	advantage
unattractive		✓				attractive
does not protect the land					✓	protects the land
does not stop erosion by waves					✓	stops all erosion by waves
danger of accident walking on it			✓			safe to walk on
stops access to beach			✓			allows access to beach
expensive to construct		✓				cheap to construct
construction causes lots of disturbance		✓				construction causes little disturbance
Total score = +1						

Coastal protection method: Sea wall

	students' score					advantage
	-2	-1	0	+1	+2	
disadvantage						
unattractive	✓					attractive
does not protect the land					✓	protects the land
does not stop erosion by waves					✓	stops all erosion by waves
danger of accident walking on it		✓				safe to walk on
stops access to beach	✓					allows access to beach
expensive to construct	✓					cheap to construct
construction causes lots of disturbance	✓					construction causes little disturbance
Total score = -5						

BLANK PAGE

The boundaries and names shown, the designations used and the presentation of material on any maps contained in this question paper/insert do not imply official endorsement or acceptance by Cambridge Assessment International Education concerning the legal status of any country, territory, or area or any of its authorities, or of the delimitation of its frontiers or boundaries.

Permission to reproduce items where third-party owned material protected by copyright is included has been sought and cleared where possible. Every reasonable effort has been made by the publisher (UCLES) to trace copyright holders, but if any items requiring clearance have unwittingly been included, the publisher will be pleased to make amends at the earliest possible opportunity.

To avoid the issue of disclosure of answer-related information to candidates, all copyright acknowledgements are reproduced online in the Cambridge Assessment International Education Copyright Acknowledgements Booklet. This is produced for each series of examinations and is freely available to download at www.cambridgeinternational.org after the live examination series.

Cambridge Assessment International Education is part of Cambridge Assessment. Cambridge Assessment is the brand name of the University of Cambridge Local Examinations Syndicate (UCLES), which is a department of the University of Cambridge.