



CO-ORDINATED SCIENCES

0654/13

Paper 1 Multiple Choice (Core)

October/November 2019

45 minutes

Additional Materials: Multiple Choice Answer Sheet
Soft clean eraser
Soft pencil (type B or HB is recommended)



READ THESE INSTRUCTIONS FIRST

Write in soft pencil.

Do not use staples, paper clips, glue or correction fluid.

Write your name, centre number and candidate number on the Answer Sheet in the spaces provided unless this has been done for you.

DO NOT WRITE IN ANY BARCODES.

There are **forty** questions on this paper. Answer **all** questions. For each question there are four possible answers **A, B, C** and **D**.

Choose the **one** you consider correct and record your choice in **soft pencil** on the separate Answer Sheet.

Read the instructions on the Answer Sheet very carefully.

Each correct answer will score one mark. A mark will not be deducted for a wrong answer.

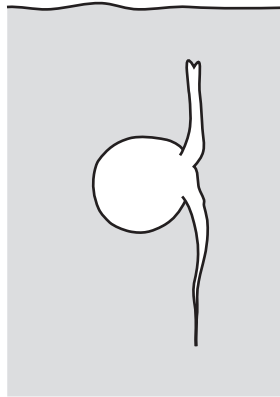
Any rough working should be done in this booklet.

A copy of the Periodic Table is printed on page 20.

Electronic calculators may be used.

This document consists of **17** printed pages and **3** blank pages.

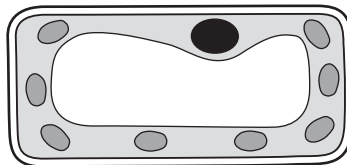
- 1 The diagram shows a germinating seed in the soil.



Which characteristics of living organisms is the seed demonstrating?

	characteristic	
	growth	sensitivity
A	✓	✓
B	✓	x
C	x	✓
D	x	x

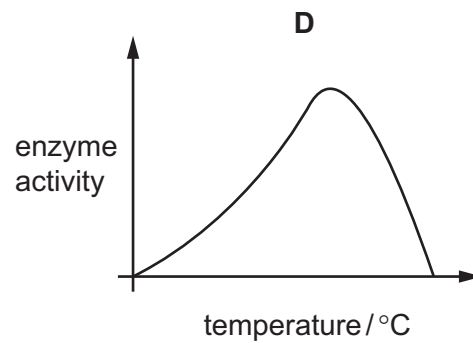
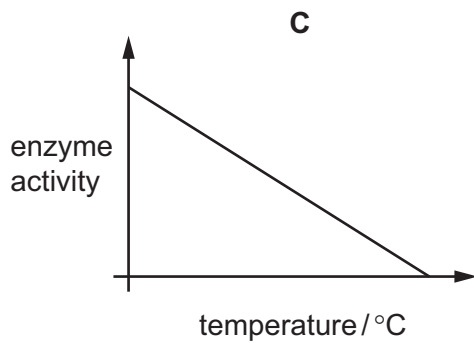
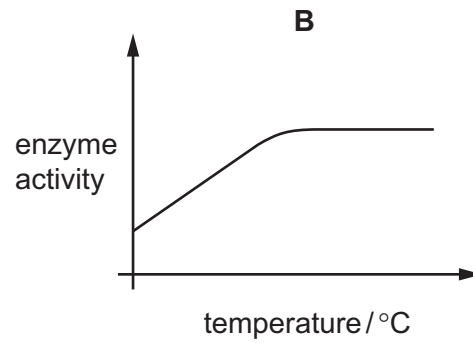
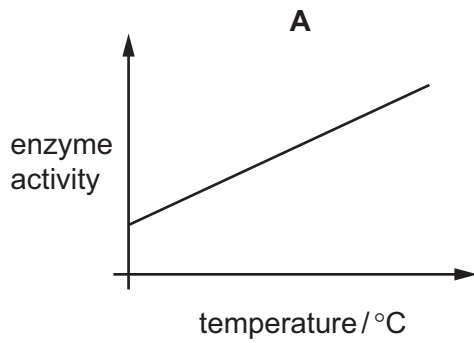
- 2 The diagram shows a section through a cell.



What shows that this is a plant cell?

- A** It has a cell membrane.
- B** It has a nucleus.
- C** It has a permanent vacuole.
- D** It has cytoplasm.
- 3 Which result with the biuret test shows that protein is present?
- A** blue
- B** green
- C** orange
- D** purple

4 Which graph shows how enzyme activity is affected by temperature?



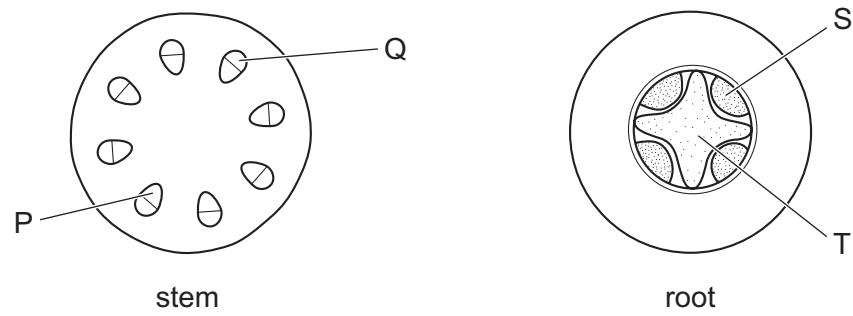
5 What is the word equation for photosynthesis?

- A** carbon dioxide + glucose → oxygen + water
- B** carbon dioxide + water → oxygen + glucose
- C** oxygen + glucose → carbon dioxide + water
- D** oxygen + water → carbon dioxide + glucose

6 Where is bile stored?

- A** gall bladder
- B** liver
- C** pancreas
- D** stomach

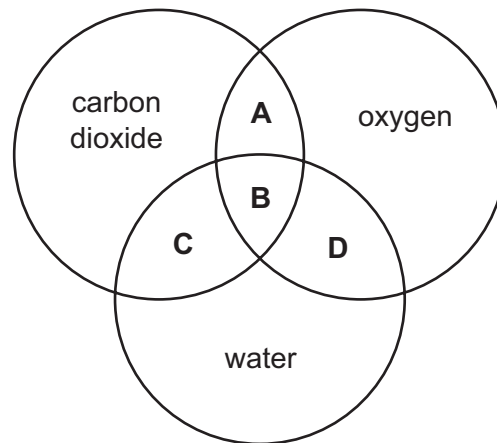
7 The diagrams show sections through a stem and a root.



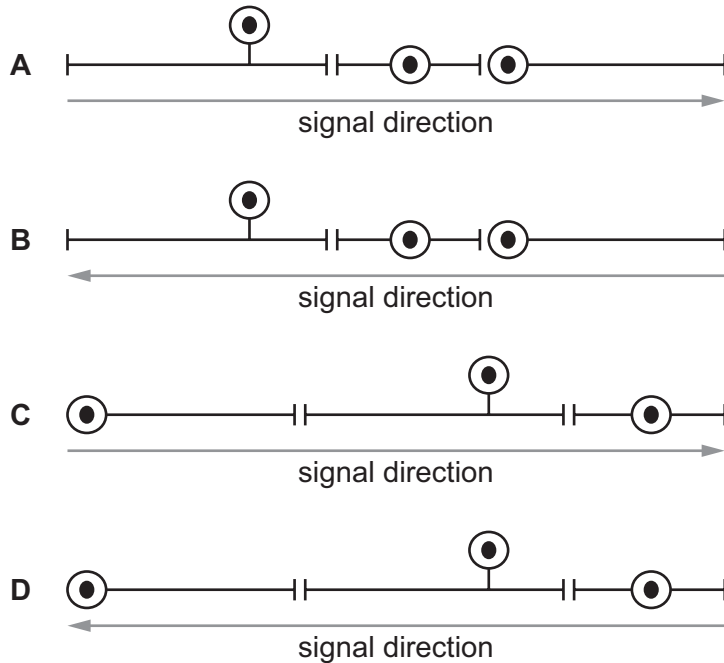
Which indicate the positions of the xylem?

- A** P and S **B** P and T **C** Q and S **D** Q and T

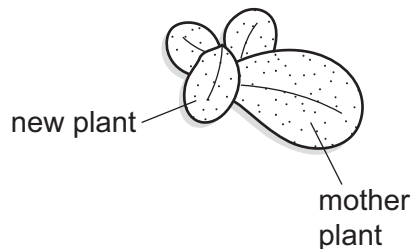
8 Which area represents the substances produced in aerobic respiration?



- 9 Which diagram shows the sequence of neurones in a reflex arc, and the direction of travel of the electrical signal?



- 10 Duckweed can reproduce by producing new plants from an original 'mother plant' as shown. These plants can then separate off and produce more plants themselves.



What does this demonstrate about how duckweed reproduces?

- A** asexual reproduction which produces genetically different plants
B asexual reproduction which produces genetically identical plants
C sexual reproduction which produces genetically different plants
D sexual reproduction which produces genetically identical plants
- 11 A pure-breeding mouse with black fur was bred with a pure-breeding mouse with white fur. All the offspring had black fur.

What are the genotypes of the two parent mice?

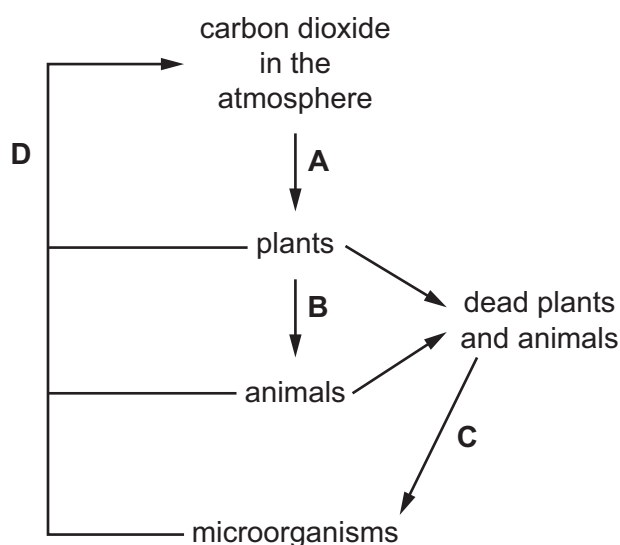
- A** $Bb \times bb$ **B** $Bb \times Bb$ **C** $BB \times bb$ **D** $BB \times BB$

12 What is the principal source of energy input into a biological system?

- A consumer
- B decomposer
- C producer
- D Sun

13 The diagram shows some of the processes in the carbon cycle.

Which process is respiration?



14 Which processes are chemical changes?

- 1 conversion of steam to liquid water
- 2 cracking of alkanes
- 3 fractional distillation of petroleum
- 4 thermal decomposition of calcium carbonate

- A 1 and 3
- B 1 and 4
- C 2 and 3
- D 2 and 4

15 Which row compares the nucleus and the electronic structure of two isotopes of the same element?

	nucleus	electronic structure
A	different	different
B	different	same
C	same	different
D	same	same

16 Hydrogen peroxide is a compound.

A molecule of hydrogen peroxide can be represented as shown.



key

● = oxygen

○ = hydrogen

What is the formula of hydrogen peroxide?

A HO

B H₂O₂

C (OH)₂

D 2OH

17 The table shows the temperature of some water before and after a solid is dissolved in it.

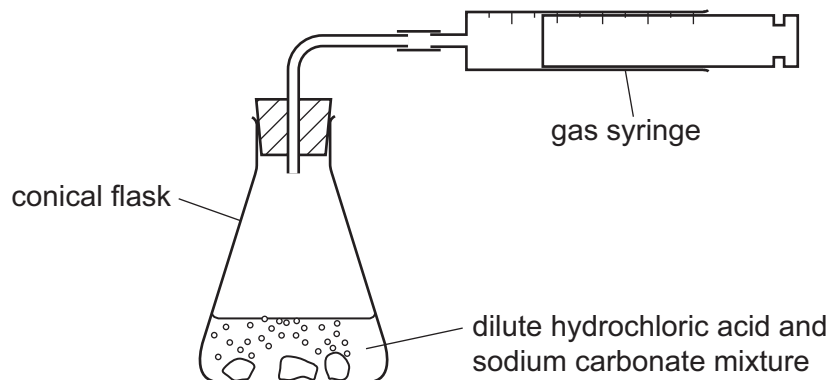
Which change is the most exothermic?

	temperature before /°C	temperature after /°C
A	20	18
B	20	40
C	25	18
D	25	42

- 18** When 50 cm^3 of dilute hydrochloric acid and excess solid sodium carbonate are mixed, they react to form carbon dioxide gas.

The gas is collected in a gas syringe.

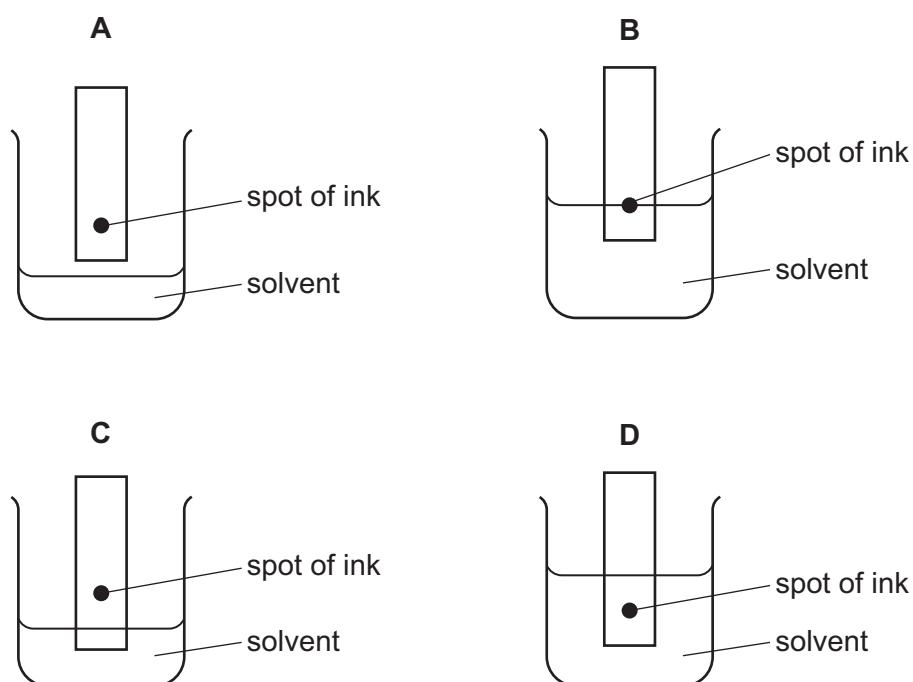
The experiment is repeated using 25 cm^3 of dilute hydrochloric acid.



Which statement about the second experiment compared to the first experiment is correct?

- A** It has the same initial rate of reaction and produces a lower volume of gas.
B It has the same initial rate of reaction and produces the same volume of gas.
C It has a slower initial rate of reaction and produces a lower volume of gas.
D It has a slower initial rate of reaction and produces the same volume of gas.
- 19** The colours in an ink can be separated by chromatography.

Which diagram shows the correct way to set up the apparatus?



20 Which statement about the Periodic Table is correct?

- A Elements are listed in order of neutron number.
- B Elements are listed in order of nucleon number.
- C Elements are listed in order of proton number.
- D Elements are listed in order of relative atomic mass.

21 The halogens are elements in Group VII of the Periodic Table.

They are1..... non-metals.

They become2..... in colour down the group.

Which words complete gaps 1 and 2?

	1	2
A	diatomic	darker
B	diatomic	lighter
C	monatomic	darker
D	monatomic	lighter

22 Which statement describes **all** metals?

- A They break when hit with a hammer.
- B They conduct electricity.
- C They dissolve in water.
- D They have high densities.

23 When substance X is added to blue cobalt(II) chloride paper, the paper turns pink.

What is X?

- A ammonia
- B an acid
- C chlorine gas
- D water

24 Which processes produce carbon dioxide?

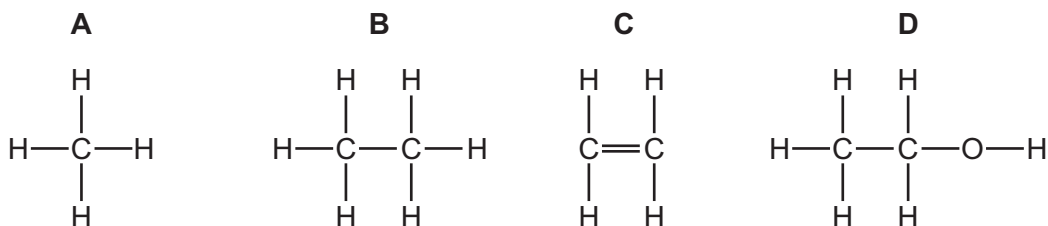
- 1 acid reacting with a metal
- 2 respiration
- 3 combustion of ethanol
- 4 acid reacting with a metal oxide

A 1 and 2 **B** 1 and 4 **C** 2 and 3 **D** 3 and 4

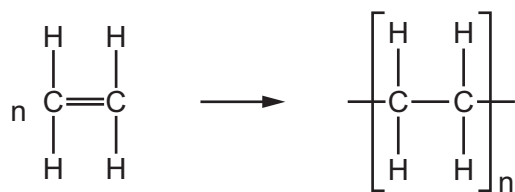
25 Which row describes lime and the solubility of limestone in water?

	lime	limestone
A	acidic oxide	insoluble
B	acidic oxide	soluble
C	basic oxide	insoluble
D	basic oxide	soluble

26 Which structure represents ethanol?



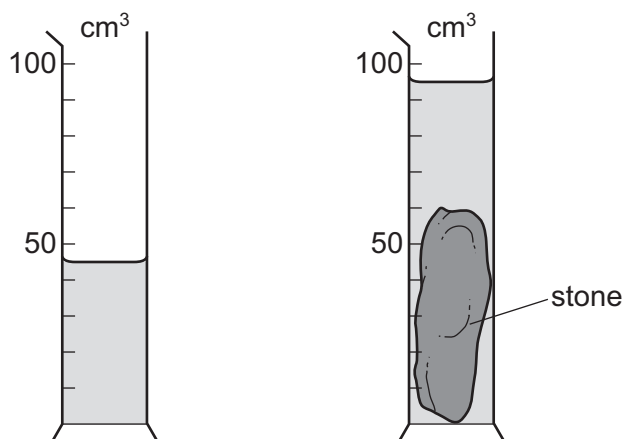
27 Which type of reaction is represented by the equation?



- A** addition polymerisation
B cracking
C fermentation
D reduction

28 A stone is lowered into a measuring cylinder containing water.

The diagrams show the readings on the measuring cylinder with and without the stone.



What is the volume of the stone?

- A** 40 cm³ **B** 50 cm³ **C** 60 cm³ **D** 95 cm³

29 There is no resultant force acting on a body.

Which statement is correct?

- A** The body is either at rest or moving at constant speed in a straight line.
B The body must be at rest.
C The body is gaining speed.
D The body is losing speed.

30 Four cars are driven the same distance along a straight, horizontal road.

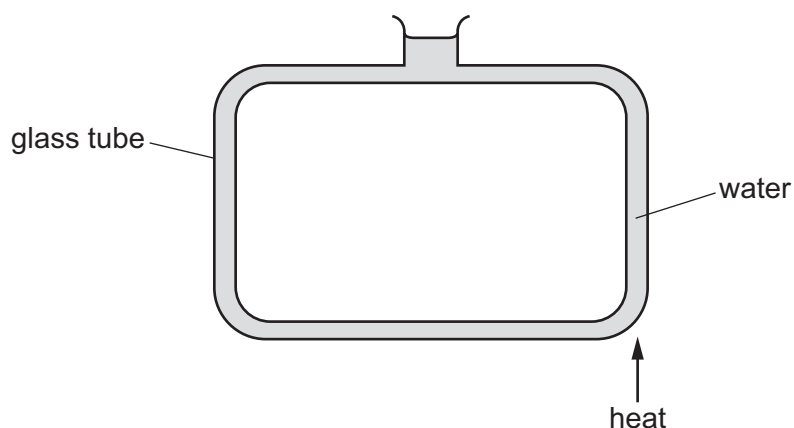
The table shows the work done by the engine in each car and the time taken by each car.

Which engine produces the most power?

	work done by engine / J	time taken / s
A	50 000	20
B	50 000	40
C	100 000	20
D	100 000	40

31 The diagram shows a shaped glass tube filled with water.

When the water is heated at the point shown, the water begins to move round the tube.



What is the main method of heat transfer that is occurring within the water and in which direction does the water move?

	method of heat transfer	direction of movement
A	conduction	anticlockwise
B	conduction	clockwise
C	convection	anticlockwise
D	convection	clockwise

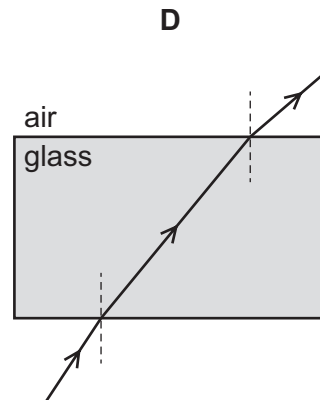
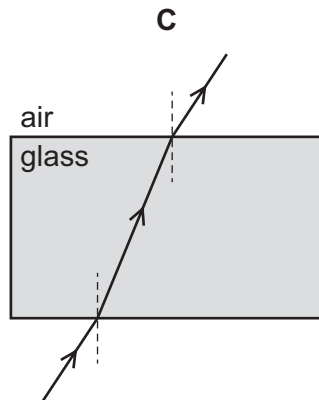
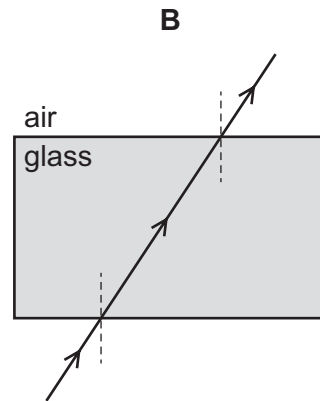
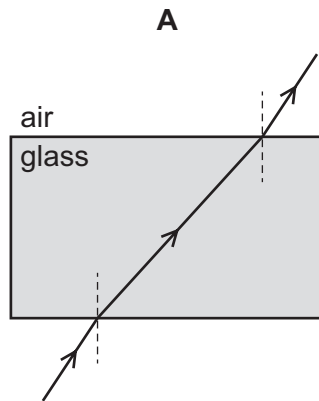
32 A substance is a gas when its temperature is 65°C .

How do the boiling point and the melting point of this substance compare with 65°C ?

	boiling point	melting point
A	above 65°C	above 65°C
B	above 65°C	below 65°C
C	below 65°C	above 65°C
D	below 65°C	below 65°C

33 Light passes through a glass block that has parallel sides.

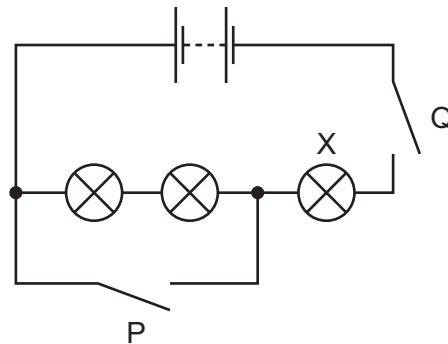
Which diagram shows the path of the light?



34 Which electromagnetic waves are used by television remote controllers?

- A gamma
- B infra-red
- C microwaves
- D X-rays

- 35 The diagram shows a circuit containing two switches P and Q, and three lamps. One lamp is labelled X.

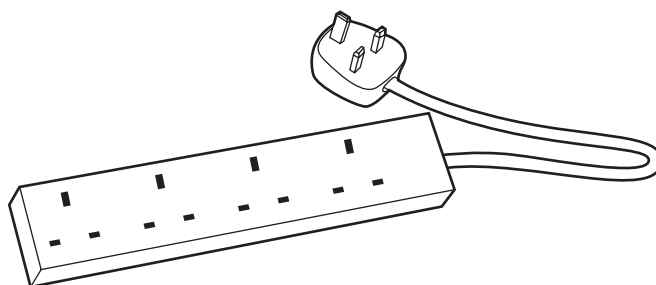


Which of the switches must be closed so that **only** lamp X is lit?

- A neither switch
 - B switch P only
 - C switch Q only
 - D switch P and switch Q
- 36 Which row shows how lamps are connected in a lighting circuit in a house and gives an advantage of connecting them in this way?

	how lamps are connected	advantage of connecting them in this way
A	in parallel	they can be switched separately
B	in parallel	they share the voltage
C	in series	they can be switched separately
D	in series	they share the voltage

- 37 An electrical extension block has four sockets, a cable which can safely take a current of 6 A and a plug. It is protected by a fuse rated at 5 A.



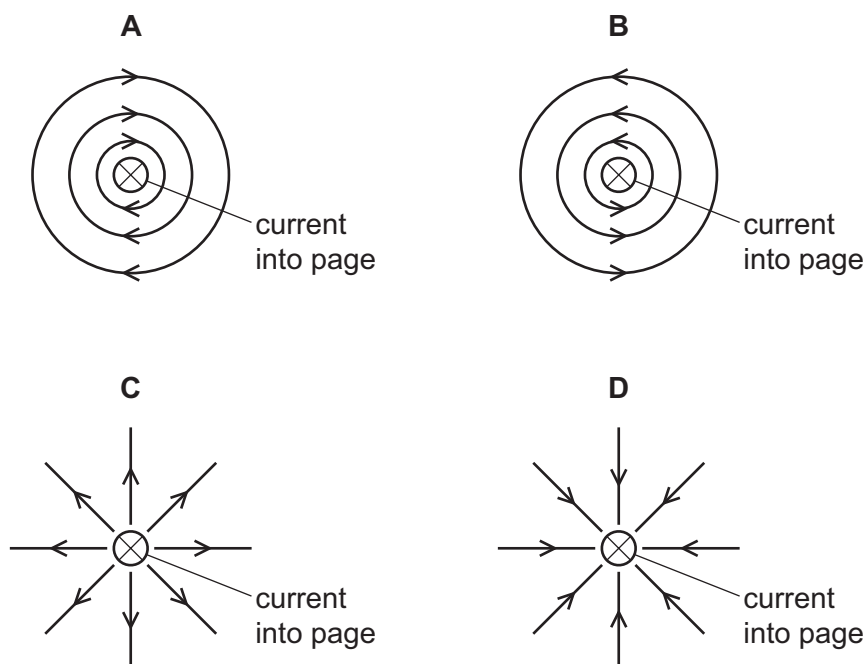
The extension block is used with four appliances and the 5 A fuse blows. The owner replaces the 5 A fuse with a 13 A fuse.

Why is the extension block now dangerous?

- A The appliances may overheat before the fuse blows.
 - B The cable may overheat before the fuse blows.
 - C The sockets may burn out before the fuse blows.
 - D The 13 A fuse may blow too soon.
- 38 There is a current-carrying wire perpendicular to the page.

The direction of the current is into the page.

Which diagram shows the pattern and direction of the magnetic field around the wire?



39 What is the proton number (atomic number) of the nuclide $^{14}_6\text{C}$?

A 6

B 8

C 14

D 20

40 Which type of radiation has the greatest ionising effect, and which is the most penetrating?

	greatest ionising effect	most penetrating
A	α -particles	α -particles
B	α -particles	γ -rays
C	γ -rays	α -particles
D	γ -rays	γ -rays

BLANK PAGE

Permission to reproduce items where third-party owned material protected by copyright is included has been sought and cleared where possible. Every reasonable effort has been made by the publisher (UCLES) to trace copyright holders, but if any items requiring clearance have unwittingly been included, the publisher will be pleased to make amends at the earliest possible opportunity.

To avoid the issue of disclosure of answer-related information to candidates, all copyright acknowledgements are reproduced online in the Cambridge Assessment International Education Copyright Acknowledgements Booklet. This is produced for each series of examinations and is freely available to download at www.cambridgeinternational.org after the live examination series.

Cambridge Assessment International Education is part of the Cambridge Assessment Group. Cambridge Assessment is the brand name of the University of Cambridge Local Examinations Syndicate (UCLES), which itself is a department of the University of Cambridge.

The Periodic Table of Elements

		Group										
I	II	III	IV	V	VI	VII	VIII					
		1 H hydrogen 1										
3 Li lithium 7	4 Be beryllium 9	<div style="border: 1px solid black; padding: 5px; width: fit-content; margin: 0 auto;"> Key atomic number atomic symbol name relative atomic mass </div>										
11 Na sodium 23	12 Mg magnesium 24	5 B boron 11	6 C carbon 12	7 N nitrogen 14	8 O oxygen 16	9 F fluorine 19	10 Ne neon 20					
19 K potassium 39	20 Ca calcium 40	13 Al aluminium 27	14 Si silicon 28	15 P phosphorus 31	16 S sulfur 32	17 Cl chlorine 35.5	18 Ar argon 40					
37 Rb rubidium 85	38 Sr strontium 88	31 Ga gallium 70	32 Ge germanium 73	33 As arsenic 75	34 Se selenium 79	35 Br bromine 80	36 Kr krypton 84					
55 Cs caesium 133	56 Ba barium 137	49 In indium 115	50 Sn tin 119	51 Sb antimony 122	52 Te tellurium 128	53 I iodine 127	54 Xe xenon 131					
87 Fr francium —	88 Ra radium —	81 Tl thallium 204	82 Pb lead 207	83 Bi bismuth 209	84 Po polonium —	85 At astatine —	86 Rn radon —					
57 La lanthanum 139	58 Ce cerium 140	29 Cu copper 64	28 Ni nickel 59	27 Co cobalt 59	26 Fe iron 56	25 Mn manganese 55	24 Cr chromium 52					
89 Ac actinium —	90 Th thorium 232	47 Ag silver 108	46 Pd palladium 106	45 Rh rhodium 103	44 Ru ruthenium 101	43 Tc technetium —	42 Mo molybdenum 96					
—	—	79 Au gold 197	78 Pt platinum 195	77 Ir iridium 192	76 Os osmium 190	75 Re rhenium 186	74 W tungsten 184					
—	—	114 Fl flerovium —	111 Rg roentgenium —	109 Mt meitnerium —	108 Hs hassium —	107 Bh bohrium —	106 Sg seaborgium —					
—	—	67 Ho holmium 165	68 Er erbium 167	66 Dy dysprosium 163	65 Tb terbium 159	64 Gd gadolinium 157	63 Eu europium 152					
lanthanoids		69 Tm thulium 169	70 Yb ytterbium 173	71 Lu lutetium 175	67 Ho holmium 165	66 Dy dysprosium 163	65 Tb terbium 159					
actinoids		101 Md mendelevium —	102 No nobelium —	103 Lr lawrencium —	99 Es einsteinium —	98 Cf californium —	97 Bk berkelium —					

lanthanoids

actinoids

The volume of one mole of any gas is 24 dm³ at room temperature and pressure (r.t.p.).